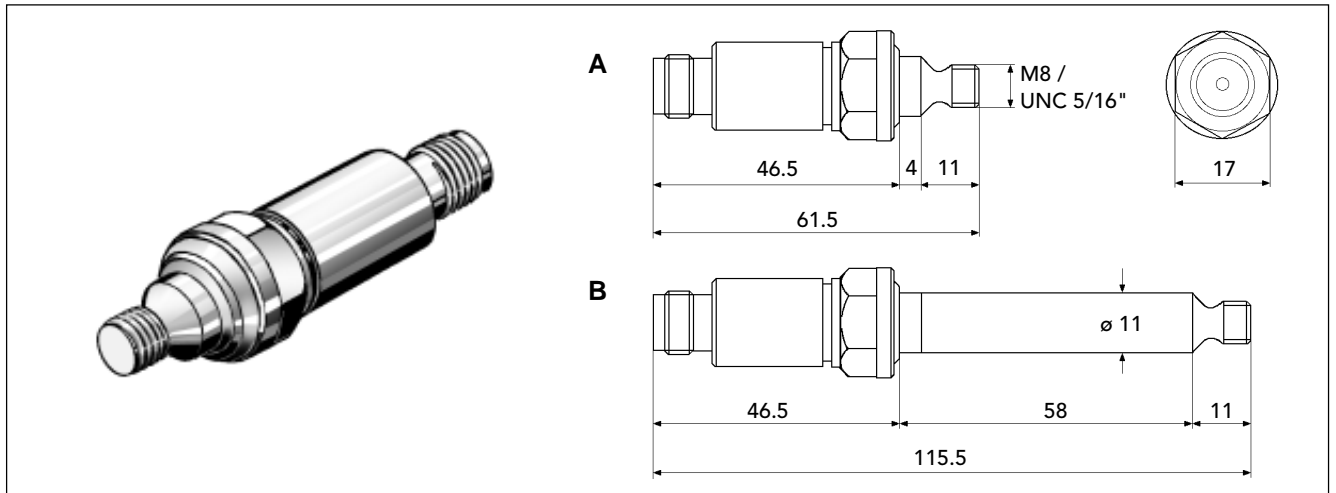


Standard Shock Pulse Transducers



Standard shock pulse transducers are used in all permanent SPM installations for bearing monitoring. They are installed in countersunk mounting holes on the bearing housings.

A shock pulse transducer converts the shock pulses emitted by the bearing into electric signals. A coaxial cable connects the transducer with a measuring terminal or measuring device. Max. cable length is 4 m.

Transducer housing and base are made of stainless acid proof steel, suitable for aggressive environments. Standard thread size is M8, with UNC 5/16" as an alternative. Standard length (A) is 61.5 mm. A long transducer (B), length 115.5 mm, is used to reach bearing housings beneath protective covers.

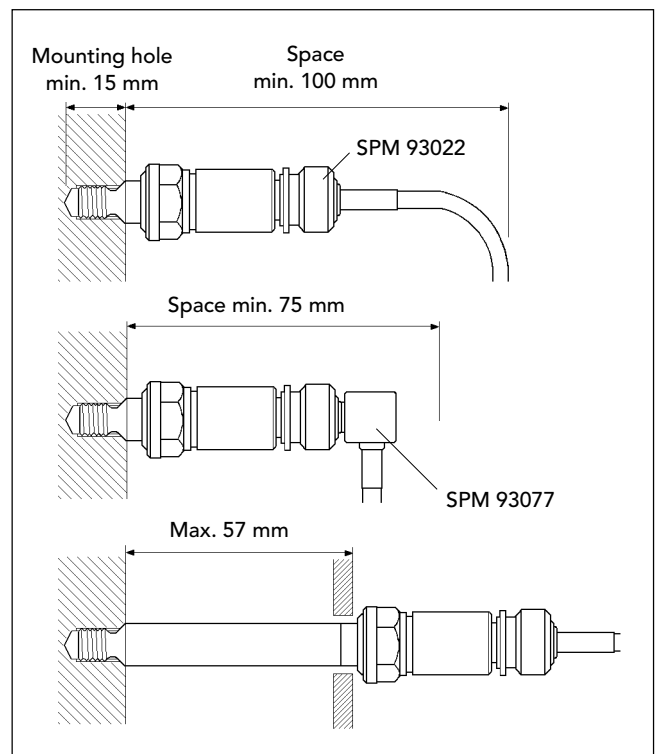
The transducer is normally connected with a TNC plug, SPM 93022. A TNC angle plug, SPM 93077, can be used in narrow spaces. To prevent cable corrosion in moist environments, the coaxial cable must be connected with a sealing TNC plug, SPM 13008.

Ordering numbers

| | |
|-------|--|
| 40000 | Standard shock pulse transducer, M8 |
| 40100 | Standard shock pulse transducer, UNC 5/16" |
| 40001 | Standard shock pulse transducer, M8, extended |
| 40101 | Standard shock pulse transducer, UNC 5/16", extended |

Technical data

| | |
|-----------------------|---|
| Measuring range | Max. 100 dBsv |
| Housing, base | Stainless acid proof steel, Sandvik Grade:1802, EN:1.4523 |
| Design | Sealed |
| Connector tightness | IP65 with TNC connector IP67 with conn. SPM13008 |
| Temperature range | -30° C to +150° C |
| External overpressure | Max. 1 MPa (10 bar) |
| Torque | 15 Nm, max. 20 Nm |
| Connector | TNC jack |



Mounting tools

| | |
|-------|-------------------------------------|
| 82053 | Countersink with fixed pilot for M8 |
| 81027 | Holder for countersink |
| 81028 | Countersink, angle 90°, 12 mm dia. |
| 81031 | Pilot for M8 |
| 81032 | Pilot for UNC 5/16" |

To drill the mounting hole, use drill bits 6.9 mm for M8, 6.6 mm for UNC5/16".

Torque and unscrew the transducer with a torque wrench and a long 17 mm socket (SPM 81086).

